



SERIES

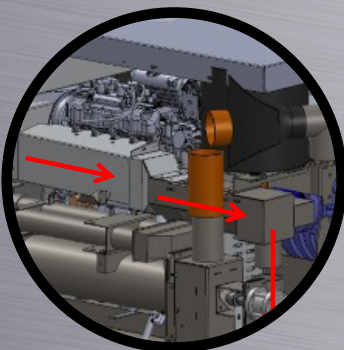
SURFACE CLEANING TRUCK MOUNTS

Powered by INNOVATION

Robust | Radical | Revolutionary

R-SERIES SLIDE-IN TRUCK MOUNT

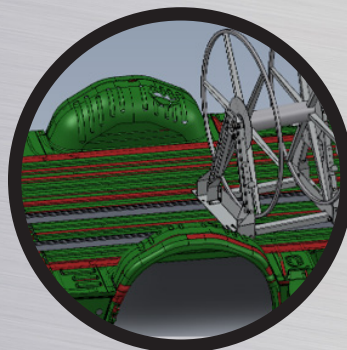
Designed for professionals who demand **more**:
more **durability**, more **control**, more **uptime**.



SERVICE REMINDERS

111 ENG HRS	INTERVAL	NEXT	REMAINING
ENGINE OIL & FILTER	150	244	133
ENGINE VALVES	1000	400	289
R HEAD BOLTS TORQUE	400	400	289
BEARING HOUSING	400	400	289
PRESSURE REGULATOR	400	400	289
FUEL FILTER	1000	1000	889

↓ ↑ RESET



aerotechmfg.com | 866-390-2376

ROBUST • RADICAL

Better Temp Control Plus Fewer Components

The R-Series requires no demand pump. The R56 does not circulate hot water back to the water tank, which means no dumping of solution water!

This also simplifies the water system, allowing you to achieve more precise temperature controls.

Plus, this unique design removes a common failure point in competing models. Fewer parts means fewer problems.

Made from Corrosion-Resistant Stainless Steel

The R-Series features key components made from corrosion-resistant stainless steel for years of dependable operation. No rust. No flaky coatings. No peeling paint.

- Engine/Blower Exhaust Heat Exchanger
- Engine Coolant Heat Exchanger
- Main Frame
- Structure & Main Brackets
- Airpath
- Solution Path

Solid Construction with Less Vibration

Vibration causes stress on equipment which leads to damage and downtime.

The unique ladder-frame design of the R-Series coupled with the single-piece slot-and-tab base ensures a rock-solid installation for less vibration and strain on the machine.

Enjoy enhanced comfort plus fewer belt replacements and breakdowns.

Cooler Van. Happier Tech. Cabin Heat

Discharge System (CHDS)

An industry exclusive! The R-Series vents the exhaust and ambient air through the van floor, not back at the machine or operator.

This keeps the machine cooler and the operator more comfortable.

Waste Tanks that WOW!

The R-Series features high-capacity waste tank options that feature beveled bottoms for full drainage. Hair, dirt, and debris slides off the sides and out the bottom.

No puddles. No sludge. No stink.

Available in two sizes: 100 gallon rotomold or 120 gallon stainless steel

Notice What's Missing? The Noise.

Noisy truck mounts that disturb the neighborhood and hurt your ears are a thing of the past.

The R-Series boasts a unique built-in silencer that allows for dramatically quieter operation that your team, your customers, and the neighbors will appreciate.

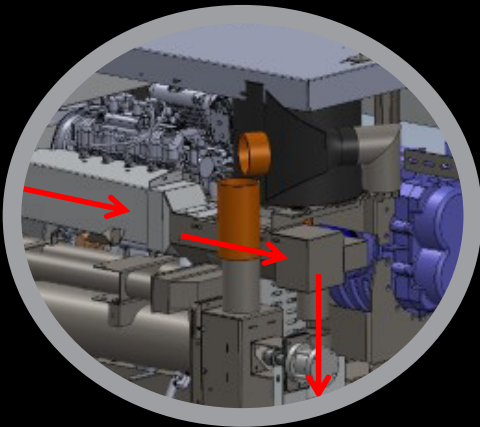
Built for Power and Performance in a Variety of Applications

The R-Series is available in two models, both with a similar footprint and customization options for tanks, shelving, and hose reels.

Choose the R45 Air for residential and light commercial cleaning.

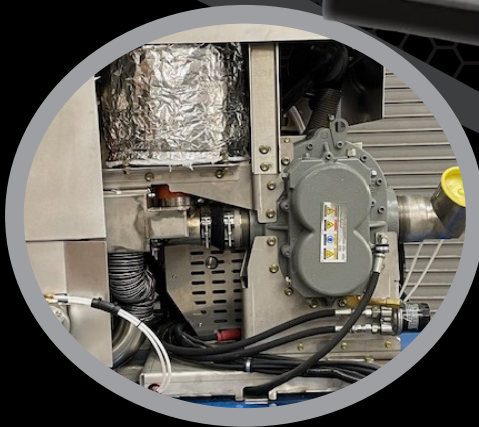
Choose the R56 Liquid for commercial cleaning jobs where more power is needed for dual wand-operation or longer hose runs. Both units are ideal for use on extraction-only restoration job sites.

• REVOLUTIONARY



Cabin Heat Discharge System

Enjoy noticeably cooler interior vehicle temperatures. This keeps the operator comfortable and reduces machine stress.



Built-in Silencer

The unique built-in silencer dramatically reduces machine noise, plus protects sensitive parts from heat exposure.



Beveled Waste Tank Bottoms

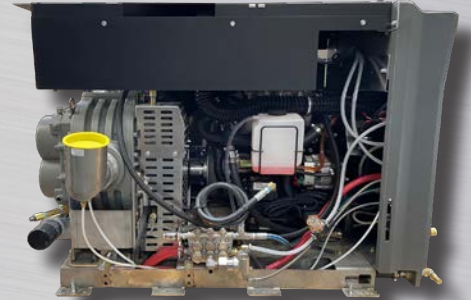
Leftover residue, sand, and debris can lead to corrosion and odors. Beveled bottoms ensure complete drainage.

The Easiest Maintenance You'll Ever Experience!

All machines need maintenance to ensure peak performance. The R-Series was engineered to make routine service as easy as possible to keep your downtime to a bare minimum.

Single-Side Service

The single-side maintenance design allows you to access serviceable components—no crawling, no reaching, no frustration. The remote engine oil filter allows for easy access, too!



Easy-Access External Components

Tired of wrestling with your truck mount to perform basic service? Key serviceable components of the R-Series are located on the exterior of the unit—no need to unscrew covers and dig into the machine.

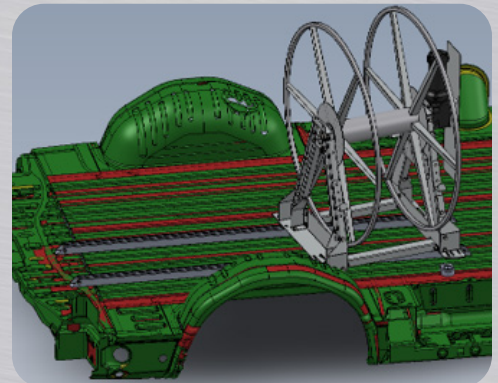
- External greaseable pressure regulator
- External bearing housing
- Vacuum Pre-Filter
- External Waste Tank Blower Filter



Sliding Hose Reels that Redefine Simplicity

An industry first and Aero Tech exclusive! The sliding rail system lets you easily move hose reels out of the way for clear service access. No unbolting. No complications.

Whether you're doing DIY maintenance or taking it to your preferred mechanic, downtime is dramatically reduced.



Belts that Resist Stretching and Can Almost Stop Bullets!

The R-Series is built tough, right down to the belts. This unit utilizes banded belts made from EPDM rubber and Aramid fiber (the same family as Kevlar®)! The unique design and durable construction resists stretching and lasts longer so you can enjoy fewer replacements and more uptime!



Finally! Modern Technology for the Modern Professional

The R-Series features a smart LED interface that makes it easy for the user to operate the unit and quickly see important data in real time.

User-Friendly Design

No analog gauges. No clutter. Just one on/off switch and a clean, intuitive digital screen.



Built-in Service Reminders

Tracks hours, intervals, and notifies you when service is due. Never miss an oil change again.



Real-Time Engine Diagnostics

Displays EFI engine error codes without a scanner. Easy troubleshooting for non-techs.



Precise Temperature Control

The only machine with user-controlled shutdown of both engine coolant and blower heat for ultra-precise temp adjustment. Whether you're powering through a large commercial job or tackling sensitive upholstery fabrics, you can dial in the temperature you need.



Durable Design

Designed for rugged markets, the LED display meets the highest standard for dust/water protection—up to IPK67—for military-grade durability.



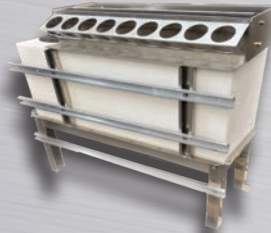
Tanks & Accessories

Flexible Configurations Built for the Way You Work

Water Tanks with Built-In Storage



6-Gallon Water Tank



45-Gallon
Rotomolded Water Tank with
Built-in Chemical Bins
Single or Dual Options



110-Gallon
Rotomolded Water Tank with
Built-In Chemical Bins

Waste Tanks with Smooth Sides and Coned Bottoms



100-Gallon Waste Tank
Rotomolded Polyethylene
84-Gallons at Shutoff



120-Gallon Waste Tank
Rotomolded Polyethylene
100-Gallons at Shutoff

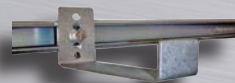
Accessories Designed for Professionals



Vacuum Hose Reel
Aluminum
250-ft Capacity
Floor or Roof Mount
Sliding Rail System



Solution Hose Reel
Aluminum
250-ft Capacity
Floor or Roof Mount
Sliding Rail System



Mix & Match Shelving Options
Shelves, Brackets, Block Holders,
Sprayer Holders, and More!

**Talk to your Aero Tech representative for help customizing the best storage options for your vehicle.*

Specifications

	R56 Liquid	R45 Air
Ideal For	<ul style="list-style-type: none"> • Residential or Commercial Carpet Cleaning • Dual-wands or longer hose runs • Extraction-only/restoration 	<ul style="list-style-type: none"> • Residential or Commercial Carpet Cleaning • Extraction-only/restoration
Engine	PSI 1.0 L GM, 4 Cylinder Liquid-Cooled, EFI Engine	Kohler ECH749, EFI, 26.5 HP 2 Cylinder, Air Cooled, EFI Engine
California Compliant	Yes - CARB/EPA Compliant in all 50 States	
Blower	5006 Tuthill Tri Lobe Blower	4005 Tuthill Tri Lobe Blower
Airflow	500+ CFM	300+ CFM
Pump	General PEHT2010S Stainless Steel Pump 500-1,500 Working PSI; 4.0 GPM; Last Step Chemical Injection	
Coolant Heat Exchanger	Stainless Steel Tube & Shell	NA
Throttle & Choke	Electronic	
Engine/Blower Exhaust Heat Exchanger		
Frame		
Structure and Main Brackets	Corrosion-Resistant Stainless Steel	
Airpath		
Solution Path		
Heat Shields & Covers	Aluminum	
Digital Display	Yes - LED with Service Alerts	
Power Distribution Module (PDM)	Yes	
Pressure Regulator	External, Greaseable	
Vacuum Pre-Filter	Yes, External	
Engine Bearing Housing	1-7/16" Shaft, External Greaseable	
Remote Engine Oil Filter & Drain	Yes	
Waste Tank Blower Filter	External	
Battery Box	Yes	
Cabin Heat Discharge System	Yes - Through Floor Exhaust	
Weight	950 lbs	775 lbs
Dimensions	34" W x 48" D x 34" H	34" W x 43" D x 34" H

*For more information, please contact your Aero Tech representative.

Ready to Redefine What a Truck Mount Can Do?

The R-Series Slide-In isn't just another machine—
it's a better way to work.

From restoration to residential and commercial cleaning, contractors count on the R-Series to deliver consistent results, day after day.

Backed by Aero Tech's legacy of innovation and customer support.

- Made in the USA
- Engineered for Performance
- Backed by Real-World Testing
- Backed by 7-5-2 Warranty



Powered by
INNOVATION

Robust | Radical | Revolutionary



aerotechmfg.com | 866-390-2376